

Breeze Aero-Seal[®] Specialty Screw

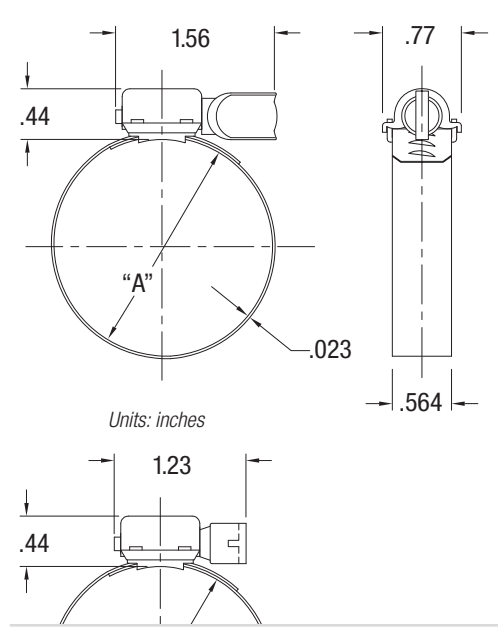
The original perforated stainless steel worm-drive clamp for aircraft and industrial applications.



Thumb Wing or Safety Screw Options | Quadra-Lock Construction | Per SAE Standard J1508 Type F | Diameter Range 7/16" – 12 1/4"

200 AERO-SEAL THUMB WING
 5/16" 410 Stainless Steel Thumb Wing Screw
 9/16" Band in 300-Series SS
 Two-Piece Housing in 300-Series SS

200 AERO-SEAL SAFETY
 5/16" 410 Stainless Steel Safety Screw
 9/16" Band in 300-Series SS
 Two-Piece Housing in 300-Series SS



SAE	200 AERO-SEAL THUMB WING		200 AERO-SEAL SAFETY		inches (A)		mm	
	Brand PN	Global PN	Brand PN	Global PN	min	max	min	max
6	200 06 W	0360 0022 016	200 06 S	0360 0021 016	7/16	25/32	11	20
8	200 08 W	0360 0022 018	200 08 S	0360 0021 018	1/2	29/32	13	23
10	200 10 W	0360 0022 021	200 10 S	0360 0021 021	9/16	1 1/16	14	27
12	200 12 W	0360 0022 025	200 12 S	0360 0021 025	11/16	1 1/4	17	32
16	200 16 W	0360 0022 030	200 16 S	0360 0021 030	13/16	1 1/2	21	38
20	200 20 W	0360 0022 033	200 20 S	0360 0021 033	13/16	1 3/4	21	44
24	200 24 W	0360 0022 039	200 24 S	0360 0021 039	1 1/16	2	27	51
28	200 28 W	0360 0022 045	200 28 S	0360 0021 045	1 5/16	2 1/4	33	57
32	200 32 W	0360 0022 052	200 32 S	0360 0021 052	1 9/16	2 1/2	40	64
36	200 36 W	0360 0022 058	200 36 S	0360 0021 058	1 13/16	2 3/4	46	70
40	200 40 W	0360 0022 064	200 40 S	0360 0021 064	2 1/16	3	52	76
44	200 44 W	0360 0022 071	200 44 S	0360 0021 071	2 5/16	3 1/4	59	83
48	200 48 W	0360 0022 077	200 48 S	0360 0021 077	2 9/16	3 1/2	65	89
52	200 52 W	0360 0022 083	200 52 S	0360 0021 083	2 13/16	3 3/4	71	95
56	200 56 W	0360 0022 090	200 56 S	0360 0021 090	3 1/16	4	78	102
60	200 60 W	0360 0022 096	200 60 S	0360 0021 096	3 5/16	4 1/4	84	108
64	200 64 W	0360 0000 091	200 64 S	0360 0021 103	3 9/16	4 1/2	91	114
72	200 72 W	0360 0006 048	200 72 S	0360 0021 088	1 7/8	5	48	127
80	200 80 W	0360 1022 102	200 80 S	0360 0021 102	2 1/2	5 1/2	64	140
88	200 88 W	0360 0002 079	200 88 S	0360 0021 116	3 1/8	6	79	152
96	200 96 W	0360 0022 129	200 96 S	0360 0021 129	3 5/8	6 1/2	92	165
104	200 104 W	0360 0001 142	200 104 S	0360 0021 142	4 1/8	7	105	178
128	200 128 W	0360 0002 143	200 128 S	0360 0021 180	5 5/8	8 1/2	143	216
152	200 152 W	0360 0022 218	200 152 S	0360 0021 218	7 1/8	10	181	254
188	200 188 W	0360 0001 238	200 188 S	0360 0021 275	9 3/8	12 1/4	238	311